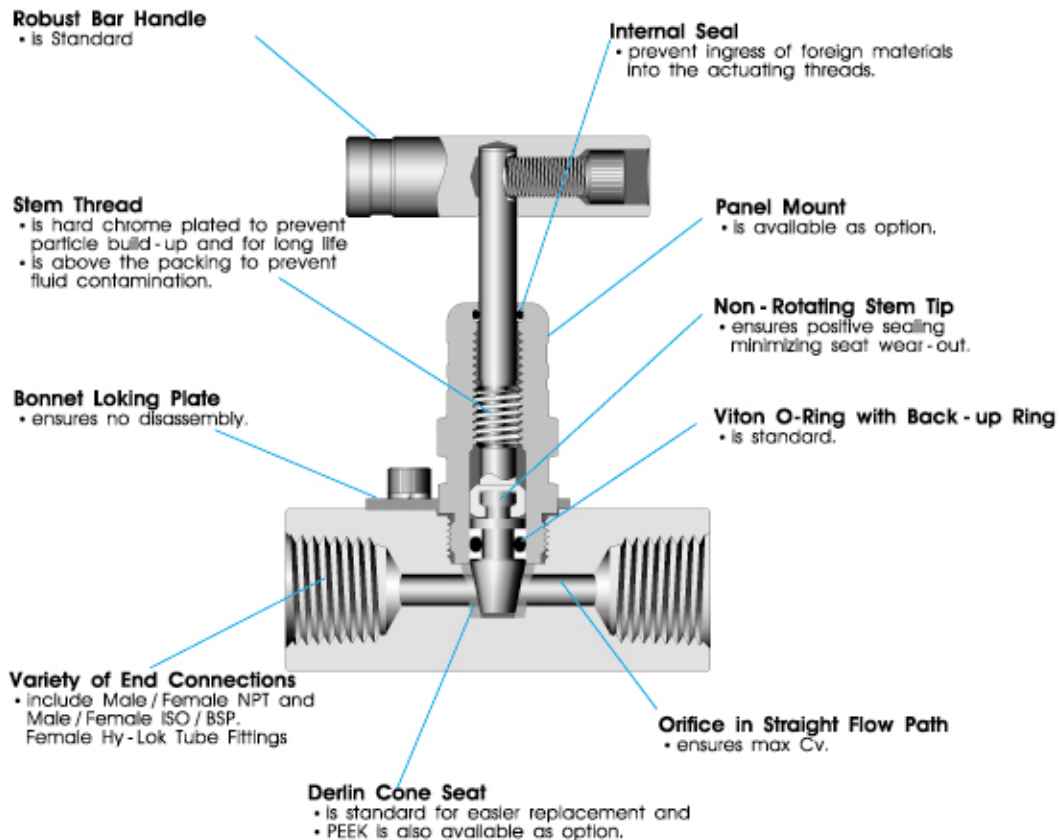


Hy-Lok RP Series

Rising Plug Valves



Catalog No. H-RP100
Jan. 2002



Features

- **Pressure rating** up to 6000psig @ 100°F (38°C)
- **Gauge port** available as option
- **SS316 body** as standard
- **Sour gas service** available.
- **100% factory tested**

Materials of Construction

Description	Material / ASTM Specification
Body	A479 / SS 316
Bonnet	
Stem	
Tip	
Seat	Delrin Standard
Seal	Viton Standard
Handle Set	Stainless Steel
Locking Plate	Stainless Steel

Temperature and Pressure Ratings

Seat Materials	Temperature Rating	Pressure Rating @ 100°F (38°C)	Pressure Rating @ Max Temperature
Delrin (standard)	-20°F~250°F (-29°C~121°C)	6,000 psig (413 bar)	1,000 psig @ 250°F(121°C)
PEEK (optional)	-20°F~400°F (-29°C~204°C)	6,000 psig (413 bar)	1,000 psig @ 400°F(204°C)

Spare Seat

- available for maintenance as below

Part No.	Seat Materials	Qty / Pack
RPV - * - DS	Delrin Seat	1 pc
RPV - * - PK	PEEK Seat	1 pc

Note "*" for end connection and size designator
e.g. RPV-MF8N-PK (See Ordering Information)



HY-LOK CORPORATION

© 1998, 1999, 2002 HY-LOK CORPORATION all rights reserved

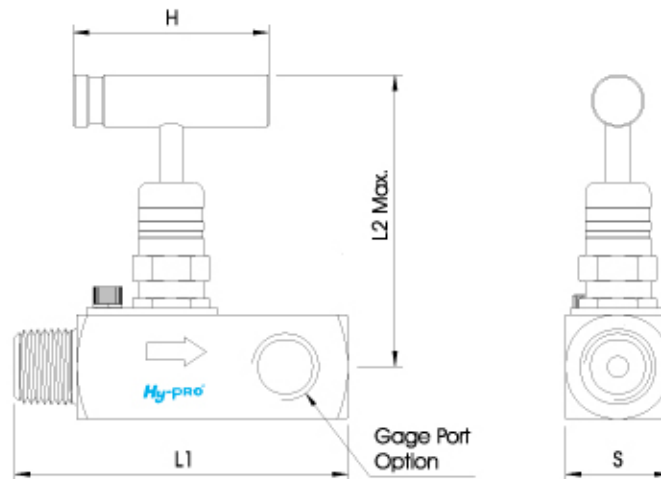


Table of Dimensions

Basic Part No.	Orifice	Cv	End Connections		Dimensions			
			Inlet	Outlet	L1	L2	H	S
RPV	F	-4N-	1/4" Female NPT	1/4" Female NPT	62.0	95.4	60	25.4
	MF	-4N-	1/4" Male NPT	1/4" Female NPT	74.0			
	F	-8N-	1/2" Female NPT	1/2" Female NPT	84.0	97.5		32.0
	MF	-8N-	1/2" Male NPT	1/2" Female NPT	90.0			
	MF	-12N8N-	3/4" Male NPT	1/2" Female NPT				

All dimensions in millimeters.

Ordering Information

RPV

MF

G8N

12N

8N

PK

P

S316

Valve Type Designator

End Connection Designator

- F : Both Ends Female Pipe Thread
- MF: Male Pipe Thread & Female Pipe Thread

Gauge Port Designator*

- Nil : Without(Standard)
- G4N: 1/4" NPT
- G8N: 1/2" NPT

Size Designator
Inlet / Outlet

- NPT (ISO/BSP)

Thread(in.)	1/4	1/2	3/4
Designator	4N(R)	8N(R)	12N(R)

Seat Material Designator*

- Nil : Delrin(Standard)
- PK : PEEK

Panel Mounting Designator*

- Nil : Without(Standard)
- P : With

Body Material Designator

- S316 : 316 Stainless Steel

Note* : No designator is required for standard.
e.g. RPV MF-12N 8N -S316

■ QUALITY SYSTEM CERTIFICATES



ISO 9001
CERTIFICATE NO. GQC 212

ASME SECT II (MO)
CERTIFICATE NO. Q5C 584

SAFETY in VALVE SELECTION

Proper installation, materials compatibility, operation and maintenance of these valves are the responsibility of the user. The total system design must be taken into consideration to ensure optimal performance and safety.

■ TYPE APPROVALS (for Hy-Lok Tube Fittings)



American Bureau Shipping
CERTIFICATE NO.00-BK50288-X



Lloyd's Register
CERTIFICATE NO.01/10075



GERMANISCHER LLOYD
CERTIFICATE NO.57798-91 HH



DET NORSKE VERITAS
CERTIFICATE NO.P-9100



Distributed by :

www.hy-lok.com