

GENERAL

ALIAMAG The Aliamag AMC3100 series converter is a microprocessor based intelligent transmitter that can be paired with any of the Alia AMF series sensors. The unit features multiple display parameters including flow rate, flow total, diagnostics, programming and troubleshooting.

FEATURES

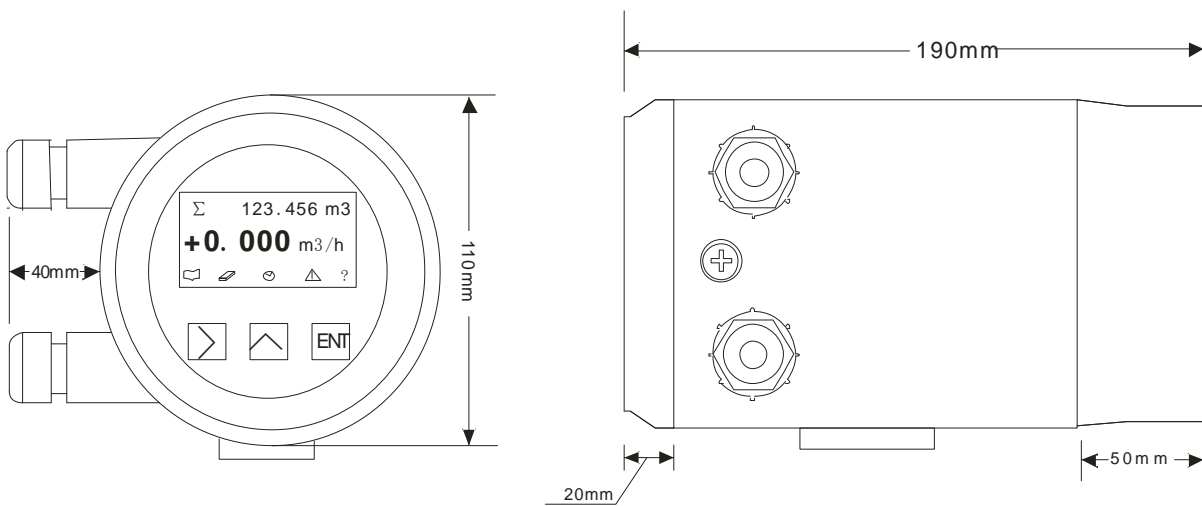
- ❑ Three line LCD display Flow Rate / Totalizer
- ❑ Accuracy of +/-0.2% value of reading
- ❑ Bi-directional flow measurement, current and pulse output
- ❑ Explosion Proof, Exd(ib)ibqllBT5
- ❑ Records up to 99 power on / off time
- ❑ MODBUS/HART communication

STANDARD SPECIFICATION

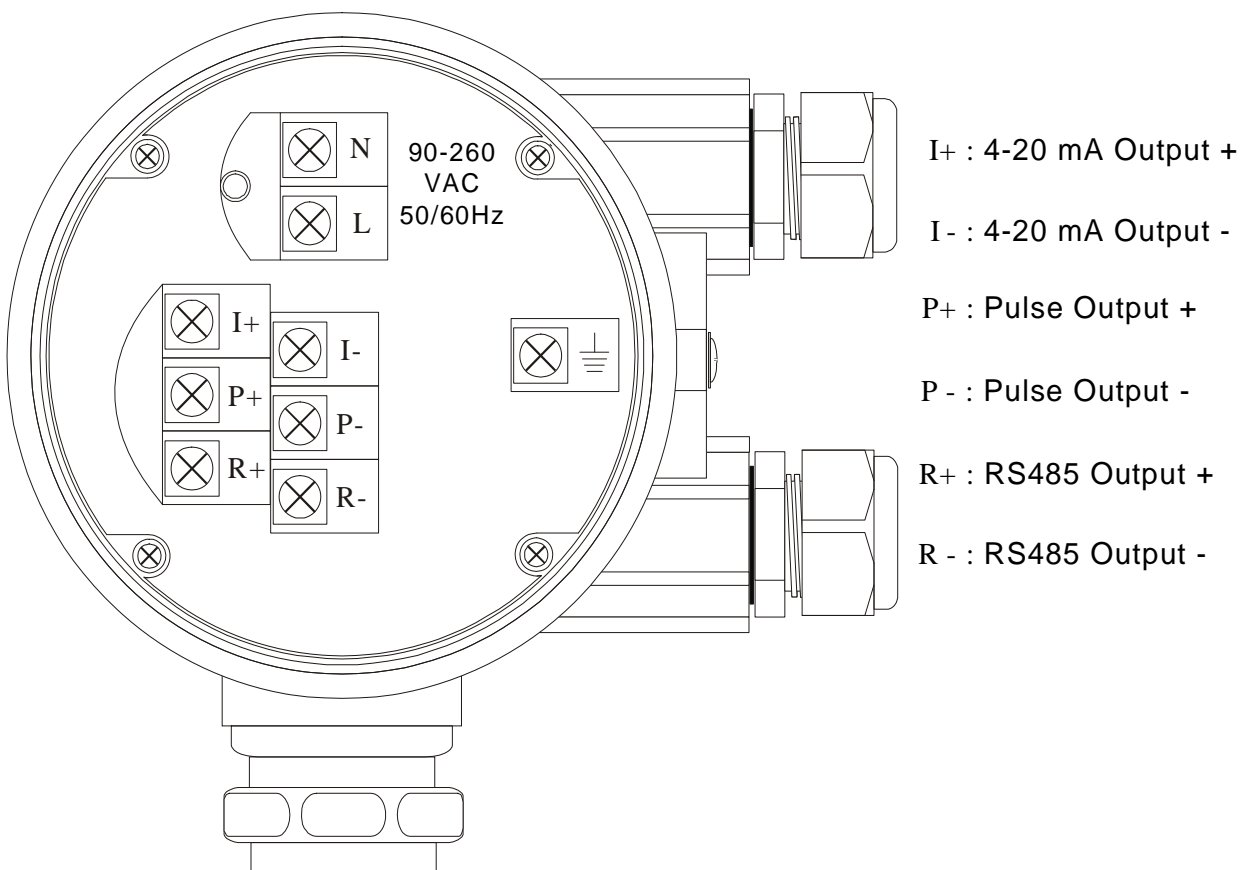


- | | | | |
|-------------------|------------------------------------------------------------------------------------------|------------------------|-------------------------------------------------------------------------------------------------------|
| ● Excitation | : DC pulsed | ● Keypad | : 3 internal keys for programming and display control
Remote switch instead, no need to open cover |
| ● Display | : 3 lines LCD with illumination | ● Low Flow Cutoff | : 0 to 9.9 % |
| Line 1 | : 11 digit totalizer for forward flow | ● Data Logger Function | : 99 times flowrate records for power on/off |
| | : 11 digit totalizer for reverse flow | ● Record Data | : Date/Time when Power on/off |
| | : 11 digit totalizer for difference | | : Flow rate when Power on/off |
| Line 2 | : 5 digit flowrate / velocity / % / mA / HZ | | : Totalizer when Power on/off |
| Line 3 | : Parameter / Query / Clr tot / Query LOG | ● Damping | : 0 to 99 Seconds |
| | Alarm, Guidance | ● Density Setting | : 0.1 to 9.99 g/cm ³ |
| Unit | : M3/H, L/H, Kg/H, T/H, L/min, M3/min, GPH | ● Self Diagnosis | : The following error message are displayed if failure occurs |
| | : GPM, ML/H, ML/m, ML/sec | | - Coil failure |
| ● Measuring Range | : Min. 0 to 0.15 m/s | | - Power failure |
| | : Max. 0 to 15 m/s | | - Overranged Output |
| ● Accuracy | : +/-0.2% of reading (Velocity ≥ 0.5 m/s) | | - Internal error |
| | : +/-0.001 m/s (Velocity < 0.5 m/s) | | - Overflow |
| ● Repeatability | : +/-0.05% of reading | | - Empty pipe |
| ● Current Output | : 4-20 mA (Isolated) | ● Cable Entry | : Standard :M20 / PG11 Option:1/2"NPTF |
| | Load : Max. 600 Ω | ● Protection Class | : IP 67, Explosion proof, Exd(ib)ibqllBT5 |
| ● Pulse Output | : Open collector | ● Ambient Temperature | : -25 to +65 °C |
| | Rating : 3 to 30 Vdc, 20 mA Max. | ● Material | : Aluminum Alloy |
| ● Pulse Rate | : 1)Scale pulse (Pulse/M3, Pulse/L, Other) | ● Power Supply | : 90-260 Vac, 50/60 Hz |
| | : 2)Frequency: 0-5000 Hz | | : 24Vdc +/-10% (Option) |
| ● Pulse Width | : 50% of band width | ● Power Consumption | : 3-17 W (Dependent on sensor size) |
| ● Alarm | : High/Low with open collector output | ● Weight | : 4.5 Kg |
| | Rating : 3 to 30 Vdc, 20 mA Max. | ● Mounting | : Wall mounting |
| ● Communication | : RS485 (MODBUS Protocol) | | : Bracket on 2" pipe |
| | : HART signal (Compatible) | | |
| ● Data Storage | : Operation parameters and totalizer figures are stored by EEPROM for more than 10 years | | |

➤ DIMENSIONS

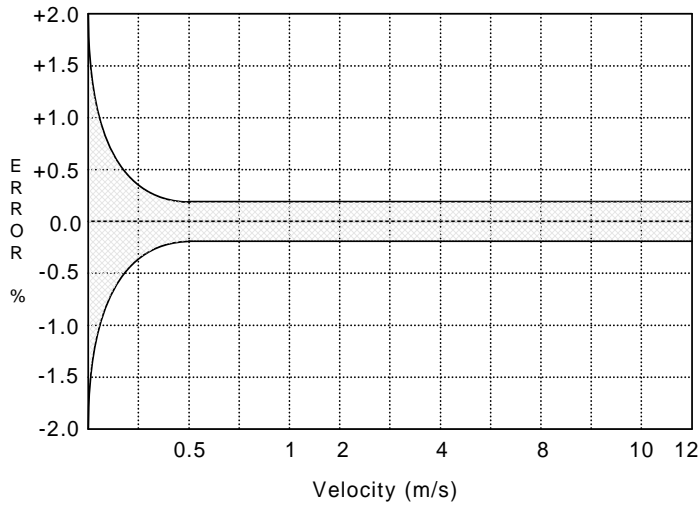


➤ WIRING DIAGRAM

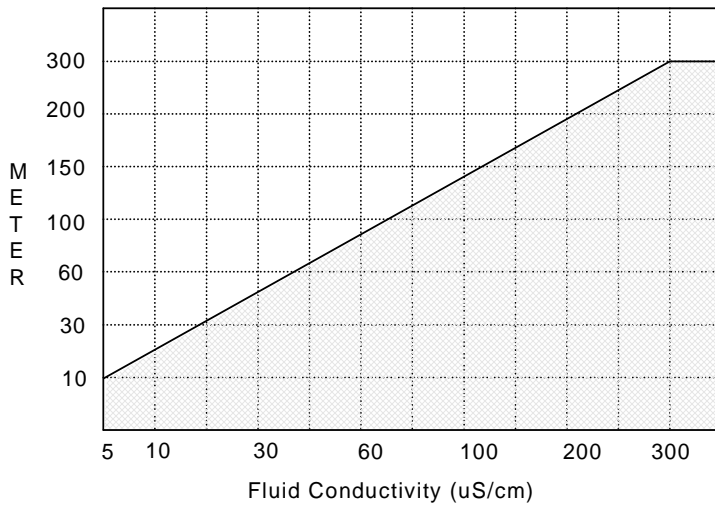


- I+ : 4-20 mA Output +
- I- : 4-20 mA Output -
- P+ : Pulse Output +
- P- : Pulse Output -
- R+ : RS485 Output +
- R- : RS485 Output -

ACCURACY



CABLE LENGTH BETWEEN SENSOR & CONVERTER



MODEL SELECTION GUIDE

AMC3100 Series						
Example: AMC3100-AC-CP-EX-HT-NN						
AMC3100-	XX-	XX-	XX-	XX-	XX	Description
Power Supply	AC-					90-260 Vac, 50/60 Hz
	DC-					24Vdc, +/-10%
Mounting	CP-					Compact with Sensor
	SW-					Separate, Wall Mounting
	S2-					Separate, 2" Mounting Bracket
Protection Class	NN-					IP67
	EX-					Explosion Proof, Exd(ib)IIBT5
Communication	NN-					RS485 (MODBUS Protocol)
	HT-					HART Signal (Compatible)
Option	NN					None
	PT					Cable Entry 1/2" NPTF

➤ BUILD OPTIONS-(COMPACT OR REMOTE)

