

## GENERAL

**ALIASONIC** AUF790 Series is a fixed mounted, Open Channel ultrasonic flowmeter, with clamp-on transducer used for non-invasive measurement. Our microprocessor based, user friendly, field programmable flow measurement technique allows no interruption of the process flow and has low installation costs.

## FEATURES

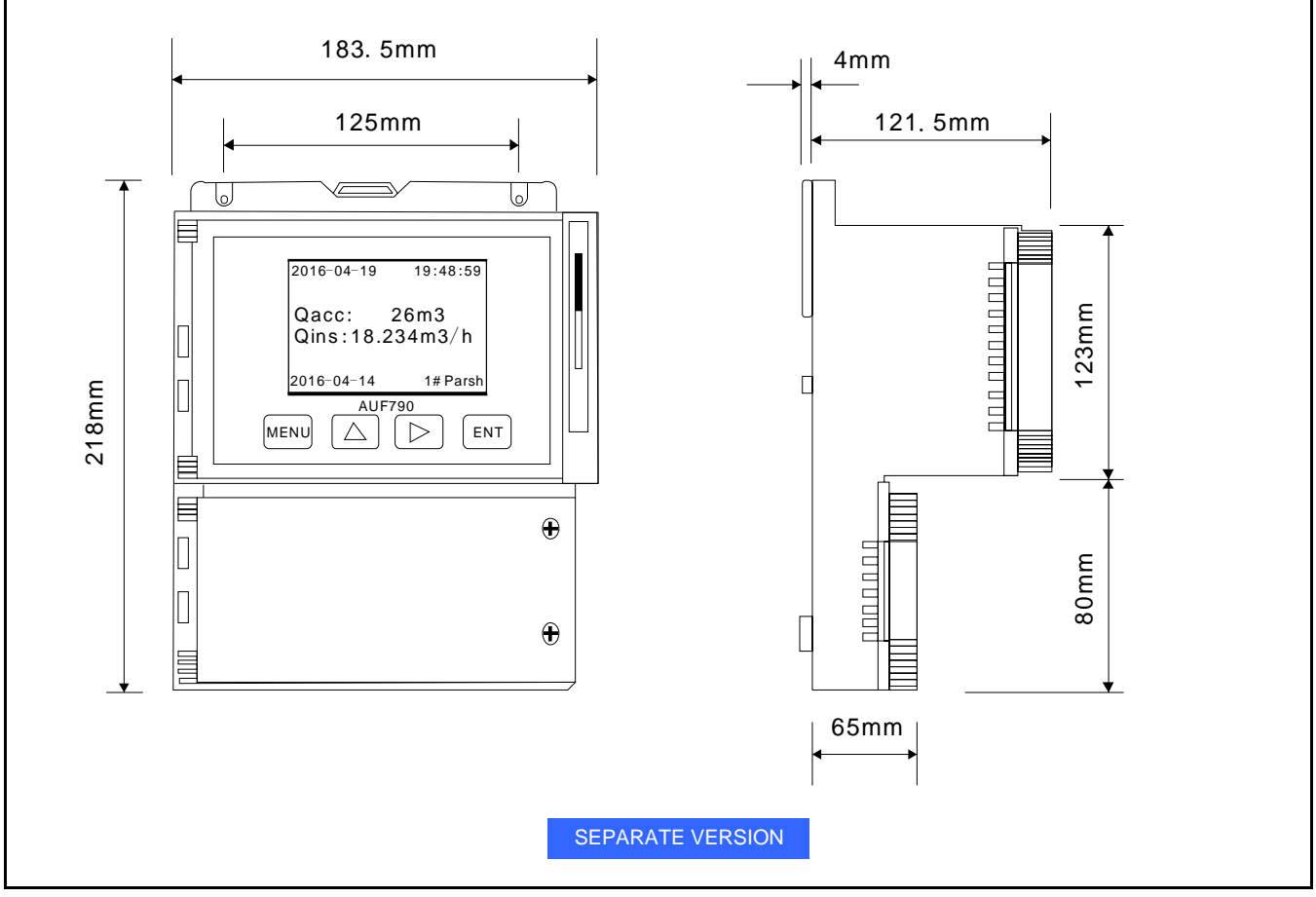
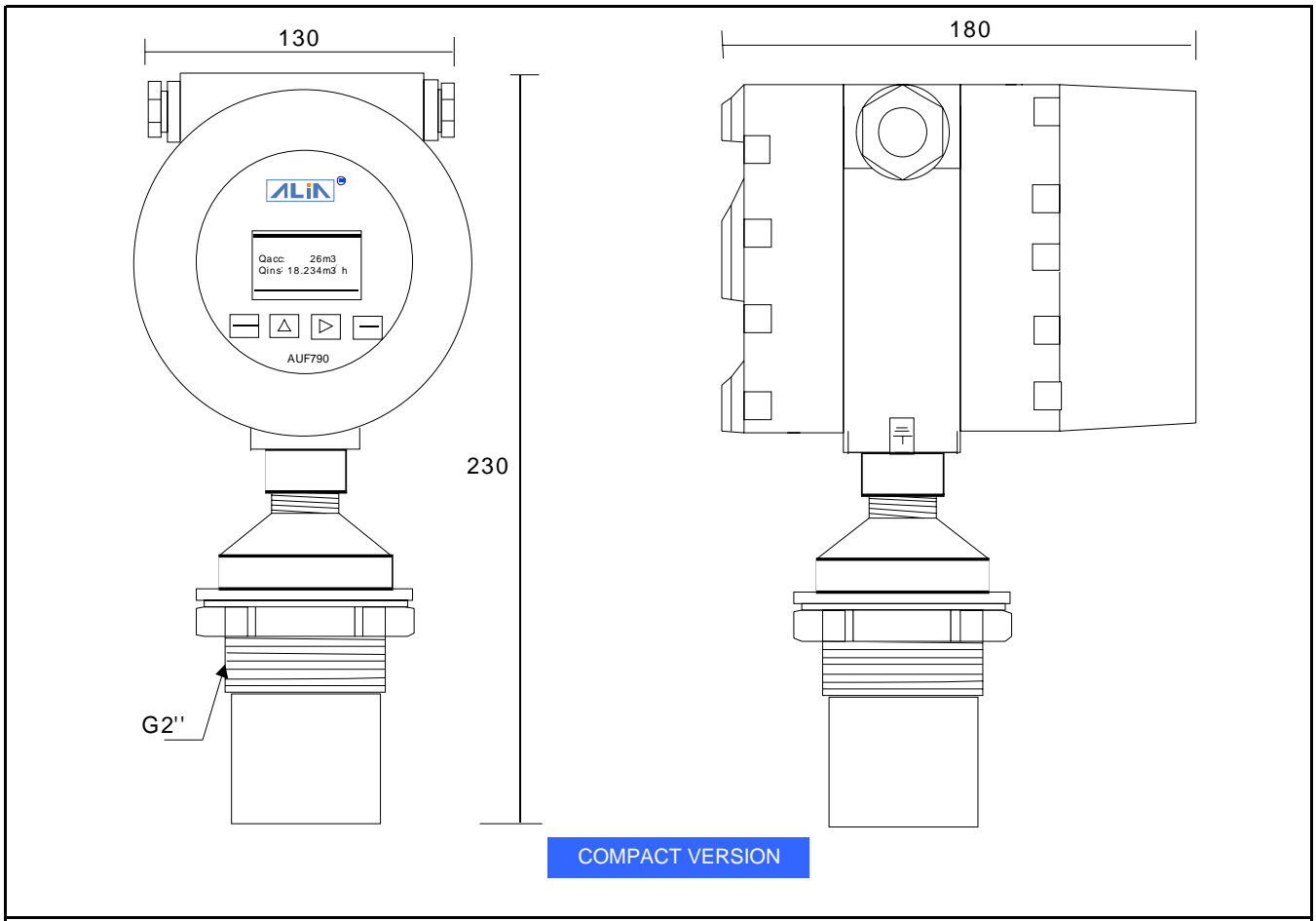
- ❑ 4 line LCD display with flowrate, totalizer & Level condition
- ❑ V-notch, rectangular with and without end contractions, Cipolletti.
- ❑ Parshall, Palmer-Bowlus, Leopold-Lagco, trapezoidal, H.
- ❑ A sampler relay will signal your sampler to collect flow proportion
- ❑ High accuracy of +/-0.25% of Full Scale
- ❑ Non-contact flow measurement
- ❑ Exclusive sensor for open channel flow
- ❑ Response time less than 1 second

## STANDARD SPECIFICATION

- Measuring Principle : Ultrasonic Sound
- Measuring Range :
  - Level : 0-3 Meter
  - Flow Rate : 0-120000 m3/s
- Accuracy : +/-0.25% of Full Scale
- Repeatability : +/-0.1% of reading
- Material
  - Ultrasonic Tube : ABS
  - Sensor Head : Polyurethane (Standard) / ETFE / PTFE
  - Housing : ABS (Separate Version)
    - : Low copper cast aluminum alloy with polyurethane (Compact Version)
- Display : 4 Line LCD with illumination
  - Flowrate : 9 digits with decimal point
  - Totalizer : 9 digits
  - Level : 4 digits
  - Flow Engineer Unit : M3, Liter
    - Level : Meter / Feet
  - Time Unit : Second, Hour
    - Other : Signal condition
- Formula : V-notch, Parshall, Palmer-Bowlus
  - : rectangular, Cipolletti, Leopold-Lagco
- Sensor Frequency : 40KHz / 1KHz
- Temp Compensation : Built-in to compensate over temperature range
  - Low Level Cutoff : 0.000 ~ 1.000 Meter
  - Dead Band : 0.35 M Max.
  - Beam Angle : 6 °
  - Keypad : 4 Key with tactile action
  - Response Time : Less than 1 second
  - Ambient Temperature : -20 ~ +60 °C
  - Mounting : G2" (Standard) / Flange end (Optional)
  - Max. Cable Length : 50 M
  - Power Consumption : Less than 3W
  - Power Supply : 90 ~ 260Vac, 50/60 Hz (4wires)
    - : 18-36Vdc (4wires)
  - Data Storage : Operation parameters and totalization date are stored by EEPROM for more than 10 years
  - Output : 4-20 mA
    - Load : Rohm=(Vdc-12)\*50 W
  - Alarm : High/Low/High-High/Low-Low
  - Communication : RS-485 (modbus)
  - Dimensions :
    - Compact : 130mm (W) \*230mm (H) \*180mm (D)
    - Separate : 183.5mm (W) \*218mm (H) \*125.5mm (D)
  - Weight : 3.5 Kg (compact), 2.2 Kg (Separate)
  - Enclosure : IP65 (ABS) / IP67 (Aluminum Alloy)
    - : Explosion Proof, EX d (ia) II B T4

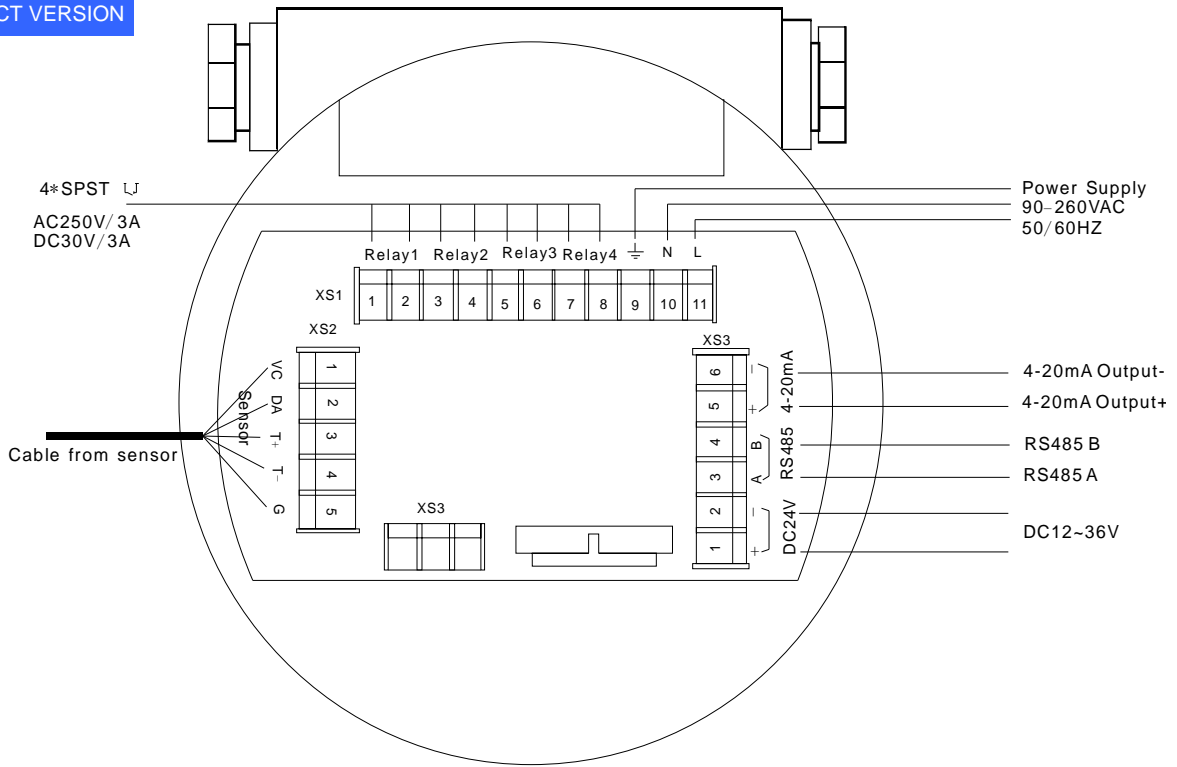


**➤ DIMENSIONS**

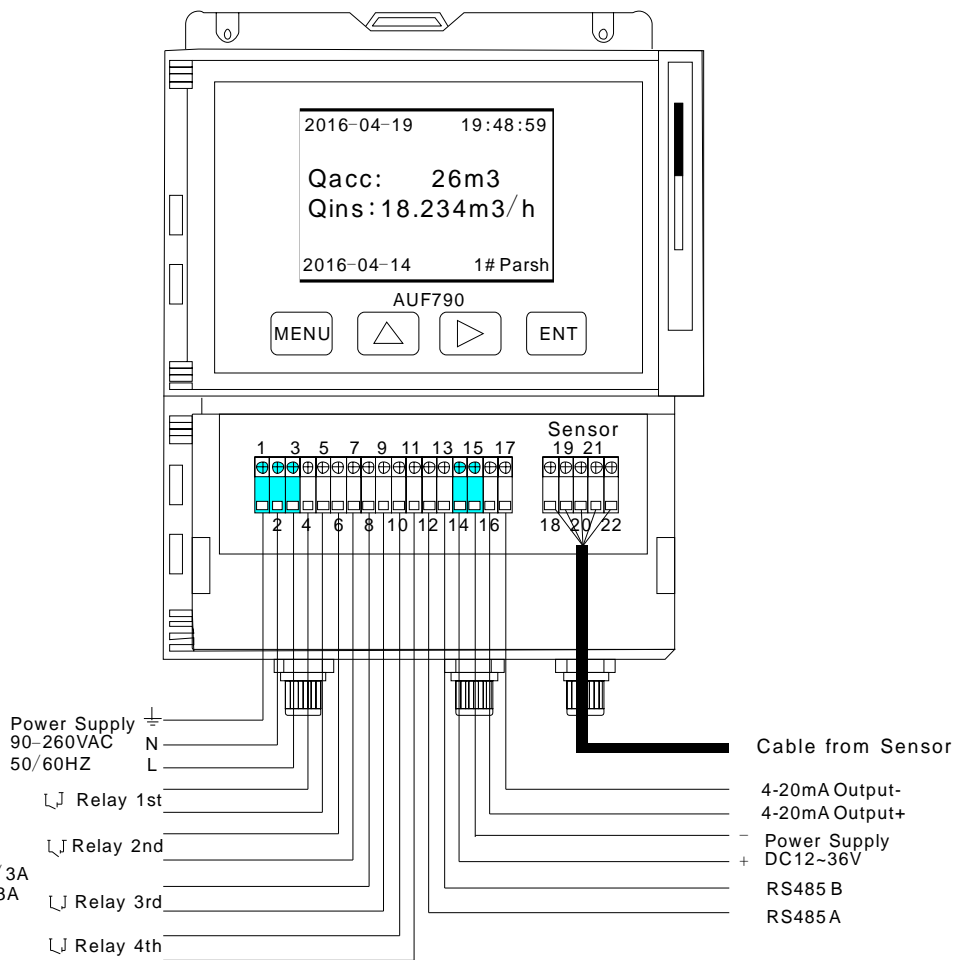


WIRING DIAGRAM

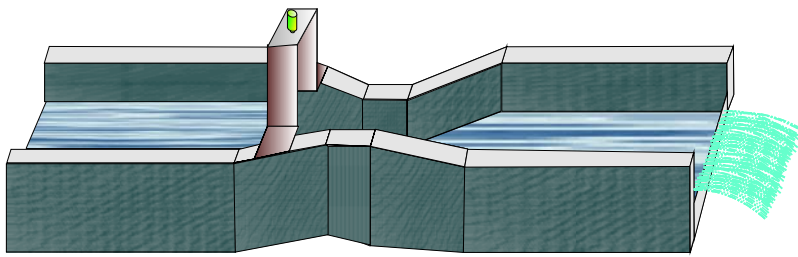
COMPACT VERSION



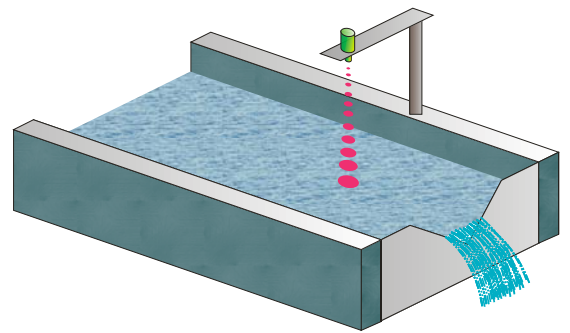
SEPARATE VERSION



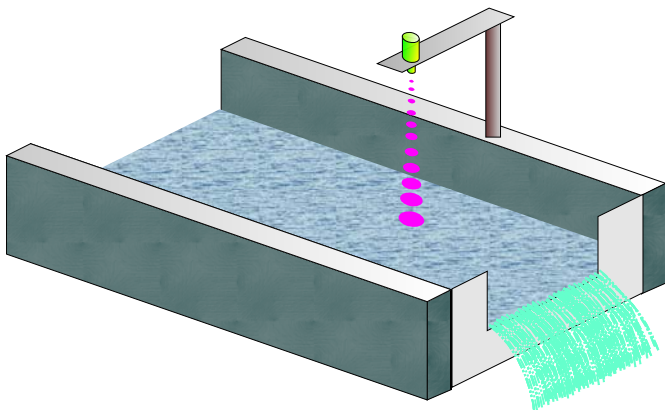
**INSTALLATION**



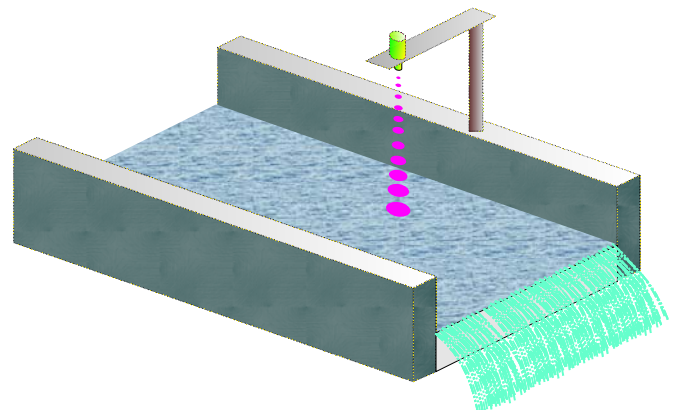
Parshall



V-notch



Rectangular



Rec Rectangular

**MODEL SELECTION GUIDE**

AUF790 Series					
Example 1: AUF790-E-NN-10-NN					
AUF790-	X-	XX-	XX	-XX	Description
Process Temperature & Material	N-				-40 ~ +60 °C (Polyurethane Sensor Head and ABS Tube)
	E-				-40 ~ +60 °C (ETFE Sensor Head and ETFE Tube)
	H-				-40 ~ +100 °C (ETFE Sensor Head and ETFE Tube)
	G-				-40 ~ +100 °C (PTFE Sensor Head and PTFE Tube)
Alarm		NN-			without Alarm Output
		A1-			With One Alarm Output
		A2-			With Two Alarm Outputs
		A3-			With Three Alarm Outputs
		A4-			With Four Alarm Outputs
Installation & Cable Length		NN			Compact Version (Aluminum Alloy Housing)
		10 ~ 50			Separate Version, Cable 10 M ~ 50 M
Option				-NN	None
				-EX	Explosion Proof, EX d (ia) II B T4 (Compact Only)