

GENERAL

ALIASONIC AUL730 Series is a fixed mounted, Ultrasonic Level Transmitter with Fix-in the air and used for non-invasive measurement. Our microprocessor based, user friendly, field programmable level measurement technique allows no interruption of the process Level and has low installation costs.

FEATURES

- Simple set-up and operation
- Fast and simple to install and configure
- Loop-powered 4-20mA output with Hart signal
- Low cost of installation and commissioning
- Non-contact level measurement
- Exclusive sensor for level transmitter
- Response time less than 1 second



STANDARD SPECIFICATION

- Measuring Principle : Ultrasonic Level Measurement
- Measuring Range : 0-10 Meter, 0-15 Meter, 0-20 Meter
: 0 -33 Ft, 0 - 50 Ft, 0 - 65 Ft
- Display : 4 Line LCD with Bargraph (Illumination)
- Resolution : 1 mm / 0.003 Ft
- Accuracy : +/-0.25% of Full Scale
- Repeatability : +/-0.1% of reading
- Material
 - Ultrasonic Tube : ABS
 - Sensor Head : Polyurethane (Standard) / ETFE / PTFE
 - Housing : ABS or Aluminum Alloy (Weather Proof)
: Aluminum Alloy (Explosion Proof)
- Update Time : < 3 S
- Ambient Temperature : -20 ~ +60 °C
- Relative Humidity : 0 - 100% RH
- Sensor Frequency : 40KHz / 1KHz
- Blanking Distance : 0.35 M Max.
- Bean Angle : 6°
- Keypad : 4 Key with tactile action
- Response Time : Less than 1 second
- Protection Class : IP65(ABS) / IP67(Aluminum Alloy)
: Explosion Proof, EX d (ia) II B T4
- Installation : G 2"and 20m sensor is M70*2 Standard
: Flange end (Optional)
- Process Temperature : -40 ~ +60 °C (Standard)
: -40 ~ +100 °C (Optional)
- Process Pressure : -0.8 ~ +2.0 BarG
- Max. Cable Length : 50 Meter (Separate Version)
- Power Supply : 12-36VDC, 2 wires (Compact)
: 12-36VDC / 85-260AC, 4 wire (Separate)
- Power Consumption : Less than 3W
- Output : 4-20 mA
Load : Rohm=(Vdc-12)*50 Ω
- Alarm : High/Low/High-High/Low-Low (Separate)
- Communication : RS485 Modbus, 4 Wire only (Standard)
: Hart Signal (Optional)
- Temp. Compensation : Built-in to compensate over temperature range
- Data Storage : Operation parameters and totalization date are stored by EEPROM for more than 10 years
- EMI/RFI Effect : Follow SAMA PMC 33.1 from 20 to 1000 MHz and for field strengths up to 30 V/m
- Dimensions
 - Compact (ABS) : 105mm(W)*262mm(H)*168mm (D)
 - Compact (Aluminum) : 161mm(W)*247mm(H)*132mm (D)
 - Separate (ABS) : 183.5mm(W)*218mm(H)*125.5mm (D)
- Weight : 1.0Kg /2.2kg (compact), 2.2 Kg (Separate)

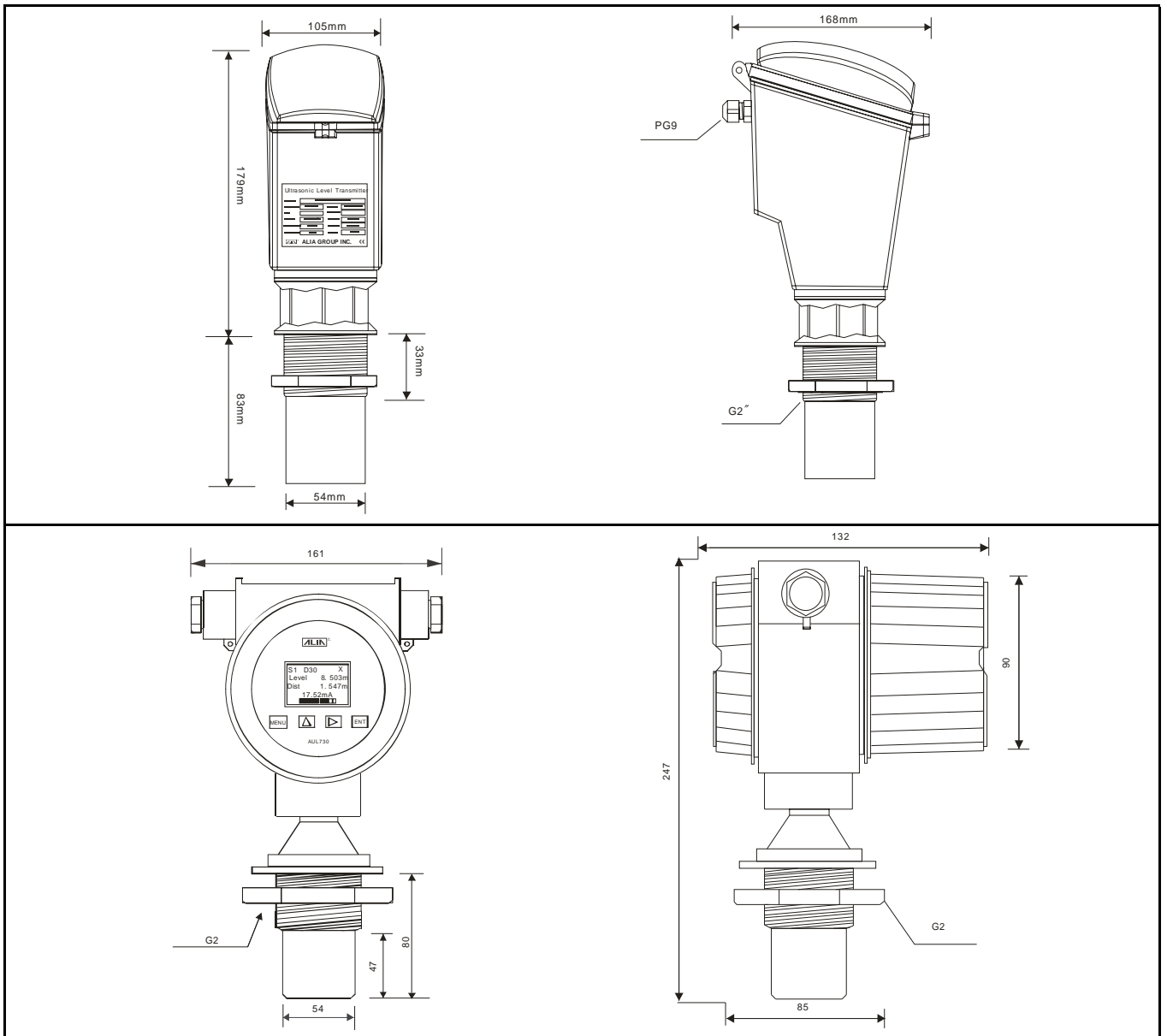


ALIA GROUP INC.

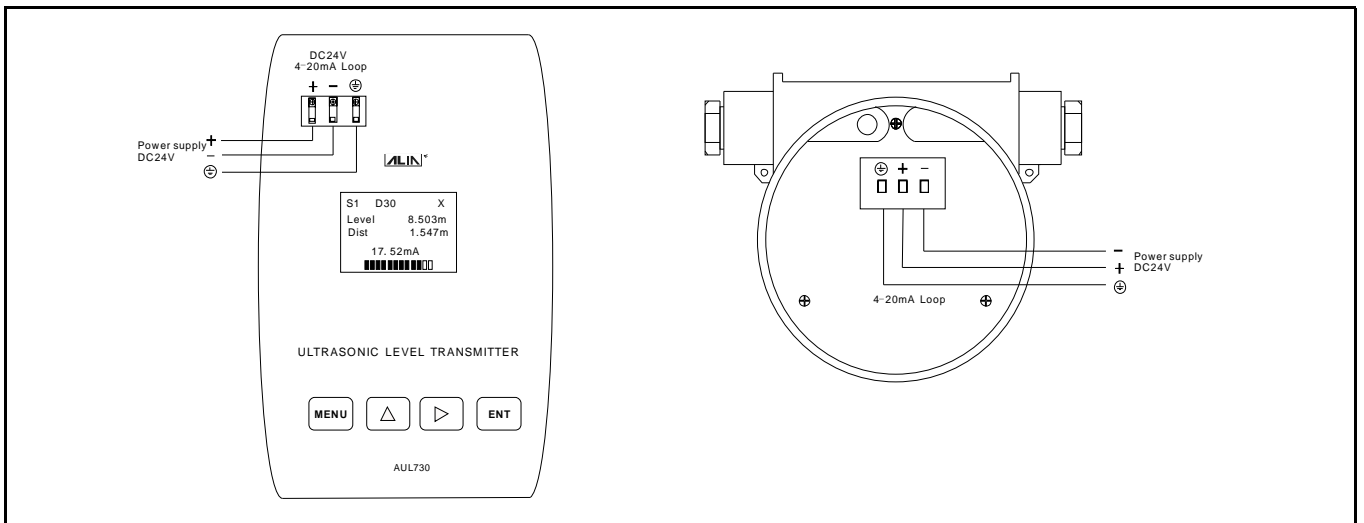
113 Barksdale Professional Center, Newark, DE 19711, USA
 TEL : + 1 - 302 - 213 - 0106 FAX : + 1 - 302 - 213 - 0107

URL : www.alia-inc.com
 E-mail : alia@alia-inc.com
 AUL730V1.2.0.A4.en

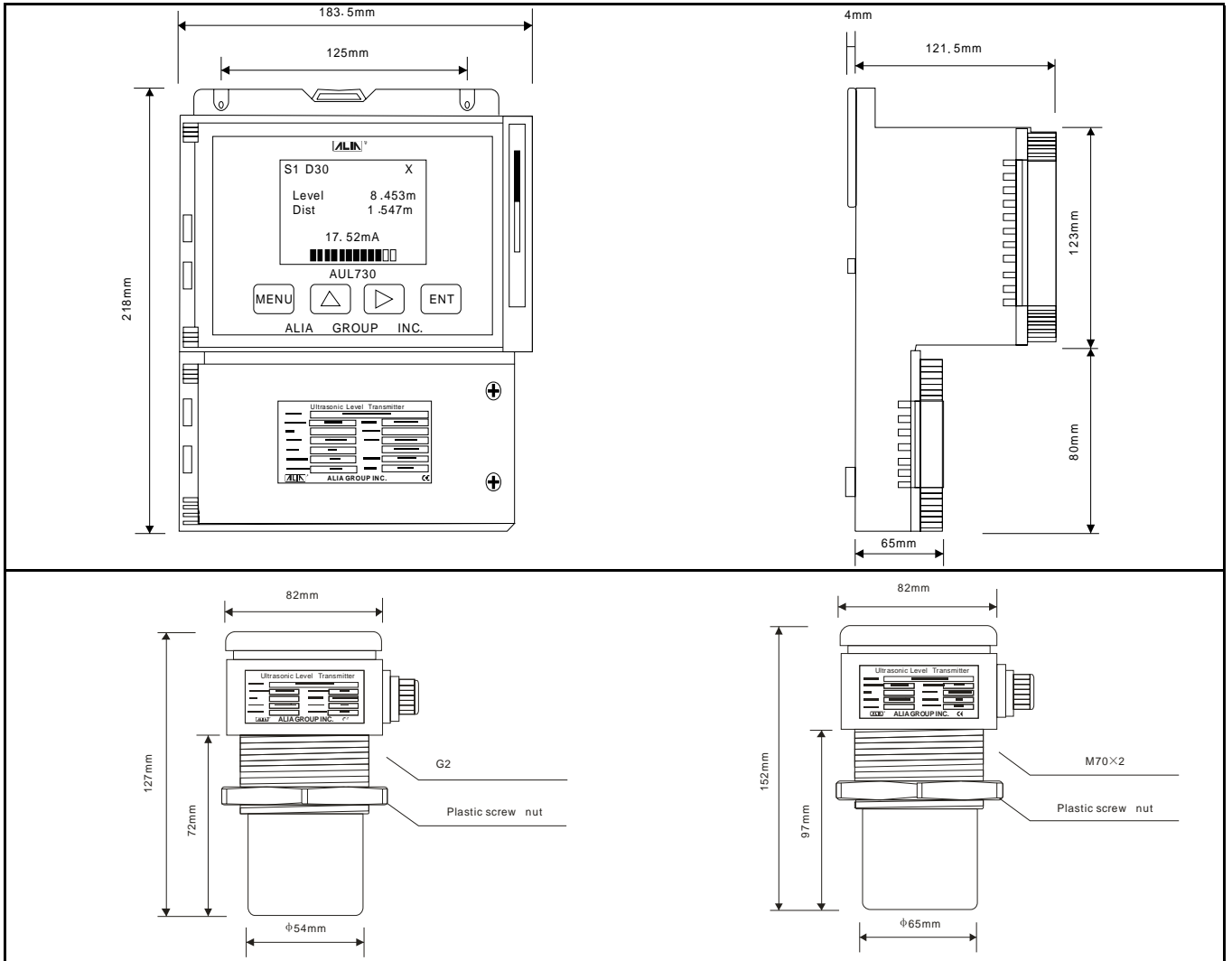
➤ DIMENSIONS (COMPACT VERSION)



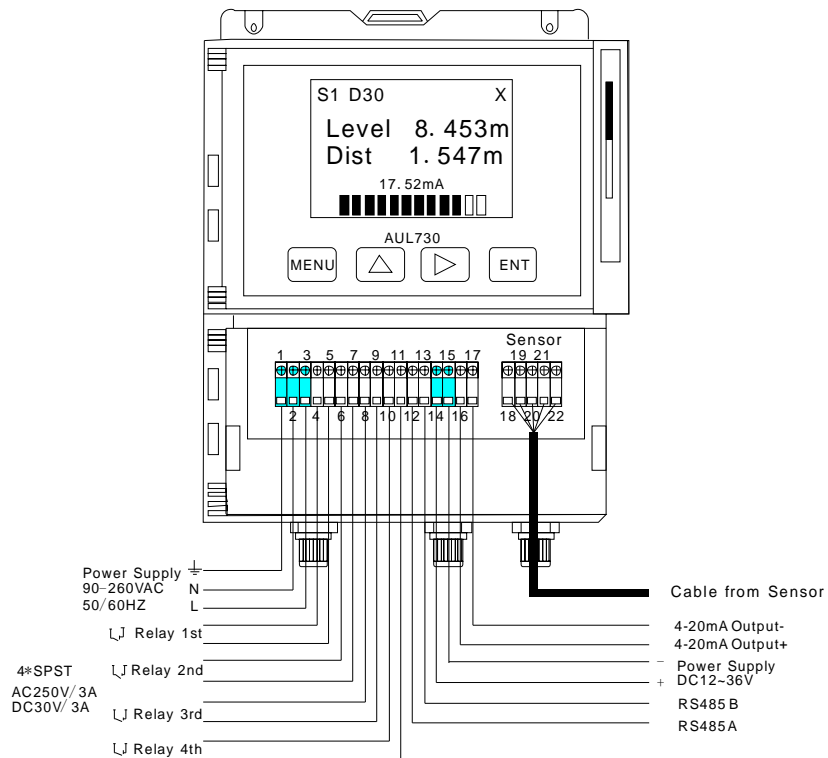
➤ WIRING DIAGRAM (COMPACT VERSION)



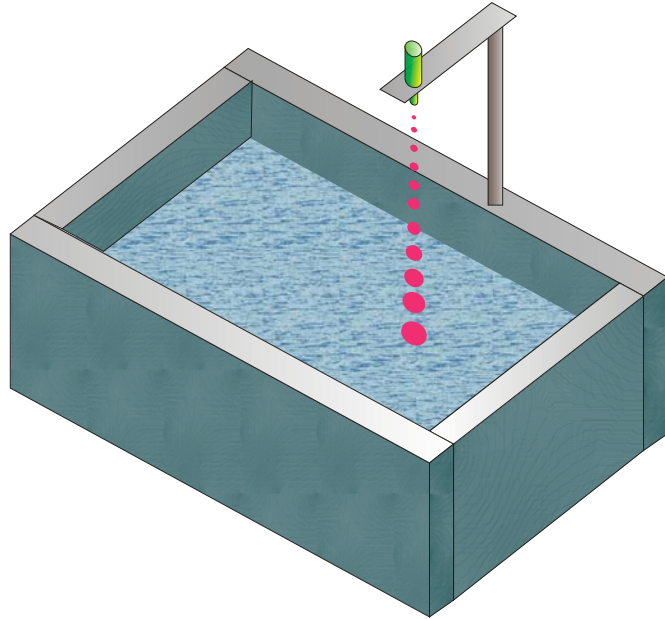
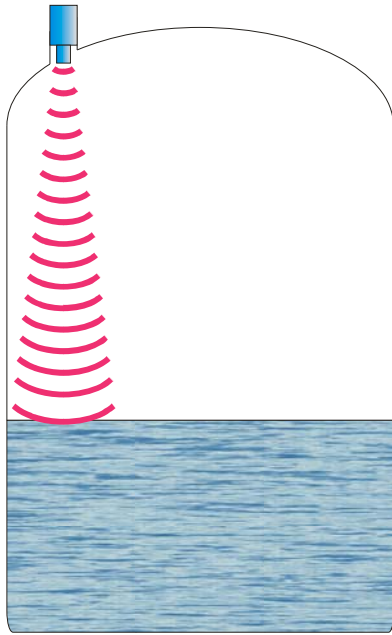
➤ DIMENSIONS (SEPARATE VERSION)



➤ WIRING DIAGRAM (SEPARATE VERSION)



INSTALLATION



MODEL SELECTION GUIDE

AUL730 Series						
Example 1: AUL730-15E-NN-N-HT						
AUL730-	XX	X-	XX	-X	-XX	Description
Level Range	10					10 Meter Maximum
	15					15 Meter Maximum
	20					20 Meter Maximum
Process Temperature & Material		N-				-40 ~ +60 °C (Polyurethane Sensor Head and ABS Tube)
		E-				-40 ~ +60 °C (ETFE Sensor Head and ETFE Tube)
		H-				-40 ~ +100 °C (Max level 10 meter, ETFE Sensor Head and ETFE Tube)
		G-				-40 ~ +100 °C (Max level 10 meter, PTFE Sensor Head and PTFE Tube)
Installation & Cable Length			NN			Compact Version (ABS Housing, 2-Wire)
			AL			Compact Version (Aluminum Alloy Housing, 2-Wire)
				10 ~ 50		Separate Version, Cable 10 M ~ 50 M (ABS Housing, 4-wire)
Alarm				-N		None
				-2		2 Alarm (4-Wire, Separate Version Only)
				-4		4 Alarm (4-Wire, Separate Version Only)
Option					-NN	None
					-EX	Explosion Proof (Aluminum Alloy, Compact Version Only)
					-HT	Hart Signal (Compact Version Only)